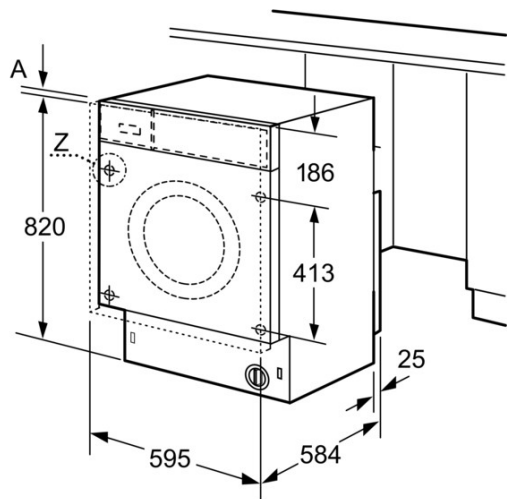
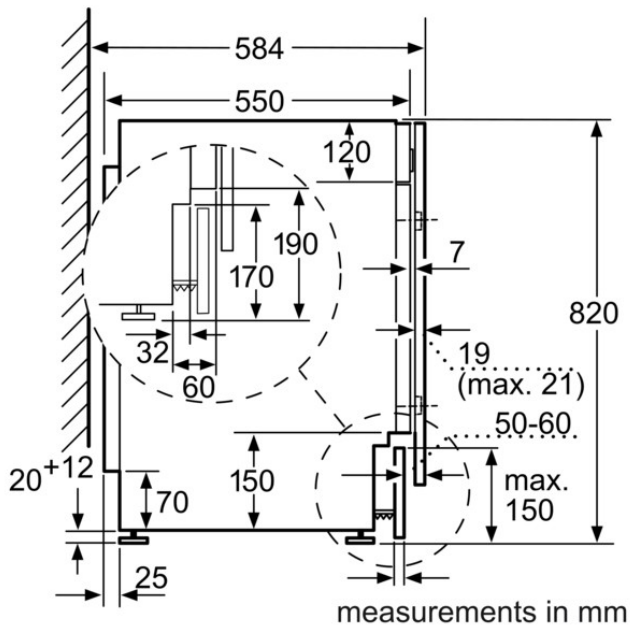


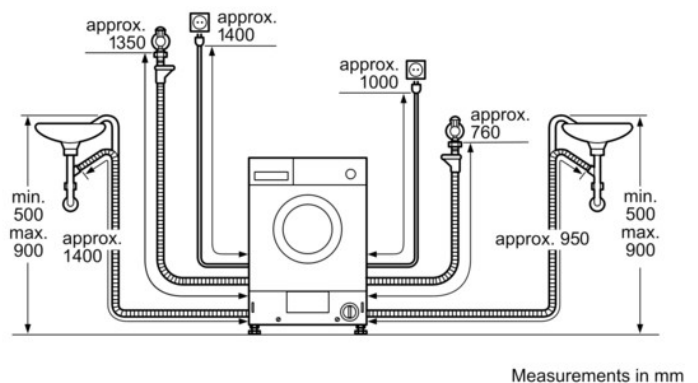
Measurements in mm



Measurements in mm

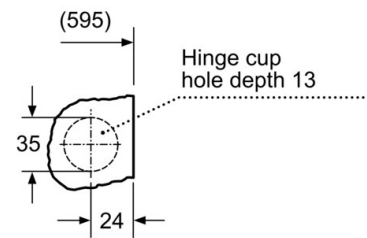


measurements in mm



Measurements in mm

Z detail



Measurements in mm